



SC-201

SWING TYPE CHECK VALVES

GENERAL FEATURES

Check valves are general purpose armatures and application areas for liquids, gases, condensate and air. They increase operational safety and can replace complicated armatures. Ayvaz SC-201 Swing Type Check Valves have several advantageous, such as short installation times and space saving.

The working part of the check valves is a hinged flap. This flap can move freely on the hinge pin in one direction. It works with fluid movement automatically. As the fluid flows in the direction of arrow, the flap opens to allow passage. If the flow is in the opposite direction, the flap closes. Thus, the flow on the line on which the check valve is fitted is one-way.

Product Material

Body: AISI 304/316 Stainless Steel
Cover: AISI 304/316 Stainless Steel

Connection:

Threaded- BSPT

Nominal Diameter:

DN15 (1/2") - DN50 (2")

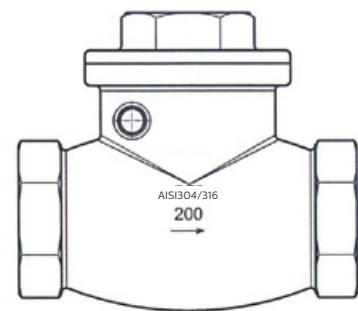
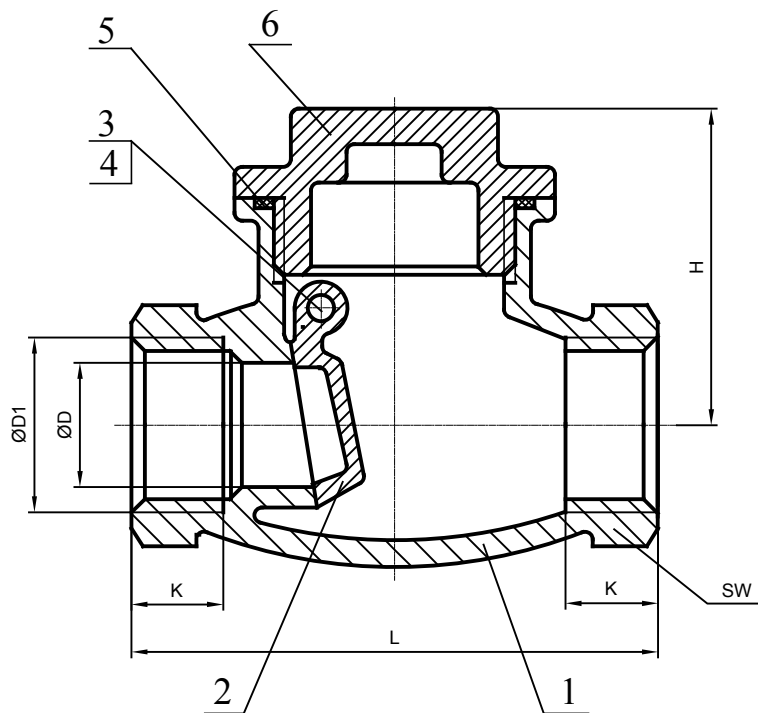
Pressure Class: PN 16

Working Temperature: 180 °C

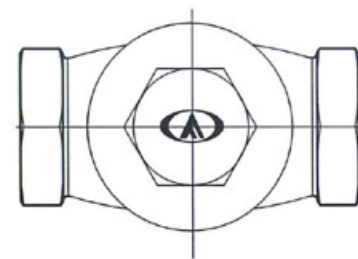
Application Areas:

- Water and condensate lines
- Heating, cooling and air conditioning systems
- City water lines
- Air installations
- Paper mills
- Power stations
- Shipyards and shipbuilding
- Ship mechanical and cooling systems
- Mineral and oil industry
- Textile industry

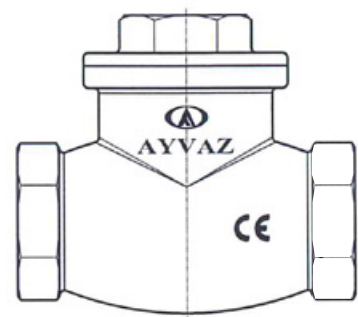
SC-201 SWING TYPE CHECK VALVES



FRONT



TOP



BACK

No	Part	Material
1	Body	AISI 304/3016
2	Disc	AISI 304/3016
3	Pipe Plug	AISI 304/3016
4	Plug Gasket	PTFE
5	Body Gasket	PTFE
6	Cap	AISI 304/3016

Dia.	Ø D1	d	SW	K	L	H	Kgs
1/4"	28	10	25	10,5	63	42	0,23
3/8"	28	12	25	11	63	42	0,26
1/2"	28	15	25	11,5	63	42	0,27
3/4"	35	20	31	14	78	46	0,35
1"	42,5	25	38	14,5	87	50	0,54
1 1/4"	55	32	50	17	100	54	0,81
1 1/2"	62	40	55	17	115	64	1,01
2"	76	50	67	18	135	71	1,62

* All dimensions are in mm.



<https://gidroterm-prom.com.ua/>
 044-333-67-80 067-435-61-80
 050-153-61-80
 e-mail: gidroterm.prom@gmail.com