



V-3F

STAINLESS STEEL BALL VALVES / THREE PARTICAL FLANGED

GENERAL FEATURES

The essential element in the ball valve is a ball which has a hole in the middle. This ball's 90° turn move it from fully opened to closed position. The ball valves are primarily used in places where it is necessary to open and close a lot or to open and close quickly.

The advantages are low pressure losses, easy opening and closing, good sealing, light weight and low space occupancy. Sealing; It is made up of two stages as a sphere seal and a shaft seal.

Ayvaz V-3F Three Piece Flanged Stainless Steel Ball Valves are subjected to 100% air test in open and closed positions under 10 bar.

Material Structure:

Body: AISI316 / AISI304 Stainless Steel
Ball: AISI316 / AISI304 Stainless Steel

Connection:

Flanged

Nominal Diameter:

DN15 (1/2") - DN100 (4")

Pressure Range:

Max. 40 bar

Temperature Range:

Based on product from -50 °C to 210°C.

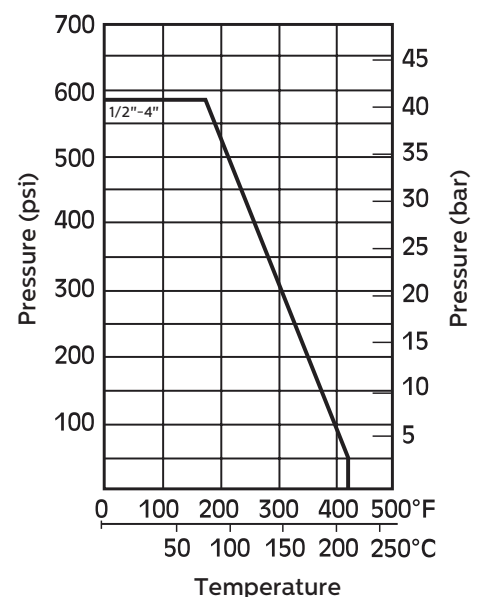
Application Areas:

- Heating-cooling lines
- Food facilities
- Chemical industry
- Shipbuilding
- Paper mills

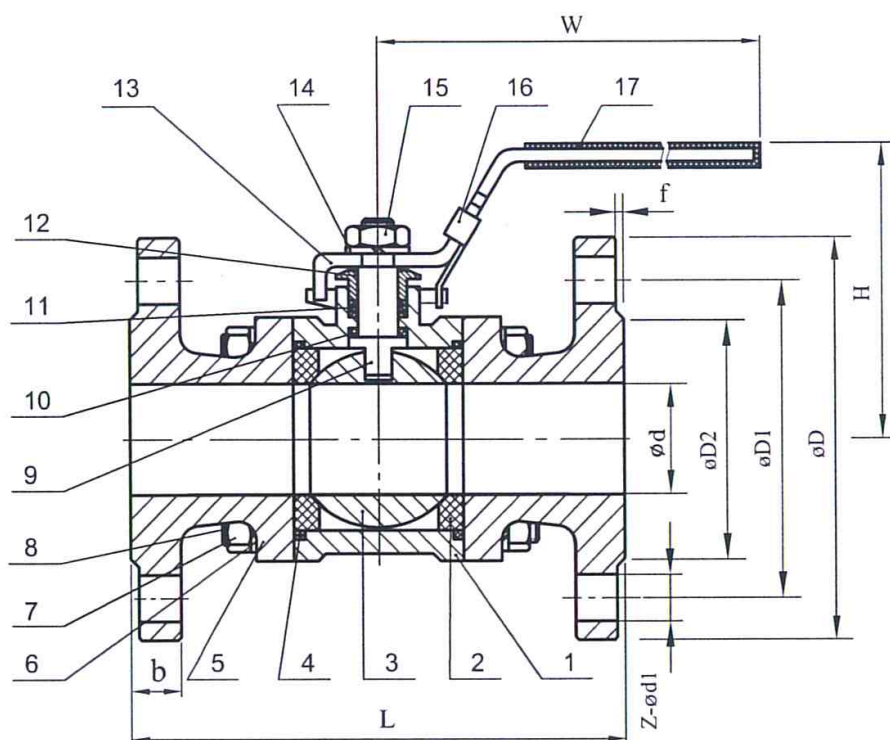
Installation:

Installation can be done in every position.

Pressure - Temperature Range



V-3F STAINLESS STEEL BALL VALVES / THREE PARTICAL FLANGED



PART LIST		
No	Part Name	Material
1	Body	AISI 304/316
2	Ball Gasket	R-PTFE (15%)
3	Ball	AISI 304/316
4	Body Gasket	PTFE
5	Cover	AISI 304/316
6	Nut	AISI 304
7	Nut	AISI 304
8	Pivot Bolt	AISI 304
9	Motion Shaft	AISI 304/316
10	Seal Teflon	PTFE
11	Sealing Gasket	PTFE
12	Sealing Nut	AISI 304
13	Handle	AISI 304
14	Nut	AISI 304
15	Nut	AISI 304
16	Lock	AISI 304
17	Handle Cover	PLASTIC

DIMENSIONS												
	Dia.	D	D1	D2	L	H	W	z-Ø d1	f	b	N.m	kg
DN15	1/2"	95	65	45	130	84	148	4-Ø 14	2	16	5	1,9
DN20	3/4"	105	75	58	150	87	148	4-Ø 14	2	18	8	2,8
DN25	1"	115	85	68	160	93	170	4-Ø 14	2	18	10	3,6
DN32	1-1/4"	140	100	78	180	99	170	4-Ø 18	2	18	14	5,4
DN40	1-1/2"	150	110	88	200	114	212	4-Ø 18	3	18	18	6,3
DN50	2"	165	125	102	230	122	212	4-Ø 18	3	20	25	8,5
DN65	2-1/2"	185	145	122	290	150	254	8-Ø 18	3	22	48	10,4
DN80	3"	200	160	138	310	161	254	8-Ø 18	3	24	75	19,9
DN100	4"	235	190	162	350	180	285	8-Ø 22	3	24	110	28,2

 **AYVAZ**

 **GIDROTERM**
prom

<https://gidroterm-prom.com.ua/>

044-333-67-80

067-435-61-80

050-153-61-80

e-mail: gidroterm.prom@gmail.com