



PRESSURE REDUCING VALVE

TECHNICAL FACTSHEET



EN1567

PN25

Yellow or Nichel-Plated

F.F. pressure reducing valve with inox seat

504

Function

Pressure reducing valves are specifically designed to reduce and stabilise the pressure of water entering a water network. Normally, pressure - from mains water - is too high and unstable to be used effectively in a domestic water system.

One of the most important characteristics of a pressure reducing valve is that it is able to provide stable downstream pressure despite varying upstream pressure.

All F.A.R.G. pressure reducing valves comply with EN 1567



The F.F. pressure reducing valve is mainly suitable in civil and industrial applications requiring a medium to high flow rate, with the added value of a stainless steel seat. Its main feature is piston operation with compensation chamber. Connection to the system is made via ISO 228/1 threaded female connections. Two 1/4"G connections at the body of the pressure reducing valve allow to install a pressure gauge.

Technical and Construction Characteristics

Available sizes: 1/2"G - 3/4"G - 1"G - 1"1/4 G - 1"1/2 G - 2"G - 2"1/2 G - 3"G - 4"G

Maximum recommended operating pressure: 25 bar

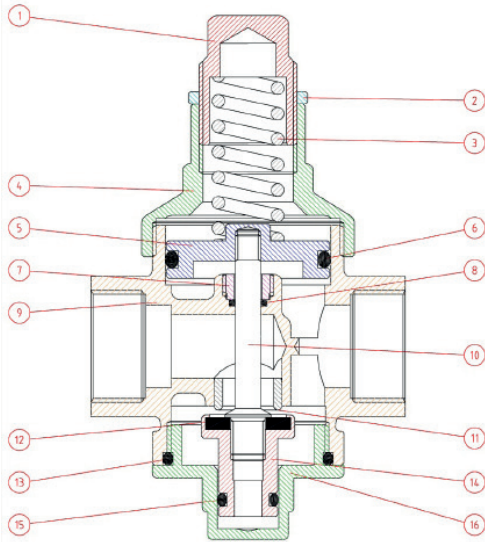
Factory pressure setting: 3 bar

Outlet pressure setting range: from 1/2"G to 3/4"G = 0,5 - 6 bar
 from 1"G to 2"G = 1 - 6 bar
 2"1/2 G - 4"G = 1 - 7 bar

Maximum operating temperature: 120°C (t. minima 0°C escluso il gelo)

All watertightness and operation tests, including outlet pressure deviation and setting range tests, are carried out in accordance with EN 1567, concerning the sizes, construction materials and performance requirements (including testing methods) of water pressure reducing valves.



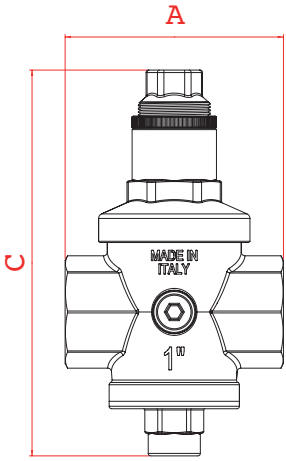
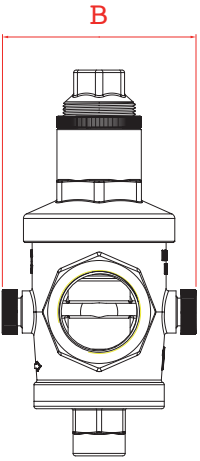


- 1 PUSH SPRINGCW 617N UNI EN 12165
- 2 LOCK NUTCW 614N UNI EN 12164
- 3 SPRINGC72 DIN 17223-84
- 4 CAPCW 617N UNI EN 12165
- 5 DISKCW 614N UNI EN 12164
- 6 O-RINGEPDM
- 7 SREW FOR O-RING CW 614N UNI EN 12164
- 8 O-RINGEPDM
- 9 BODYCW 617N UNI EN 12165*
- 10 RODCW 614N UNI EN 12164**
- 11 SEAT AISI 304
- 12 GASKETEPDM
- 13 O-RINGEPDM
- 14 VALVECW 614N UNI EN 12164
- 15 O-RINGEPDM
- 16 LOWER STOPPERCW 617N UNI EN 12165

* for 2"1/2 - 3": CB753S UNI EN 1982

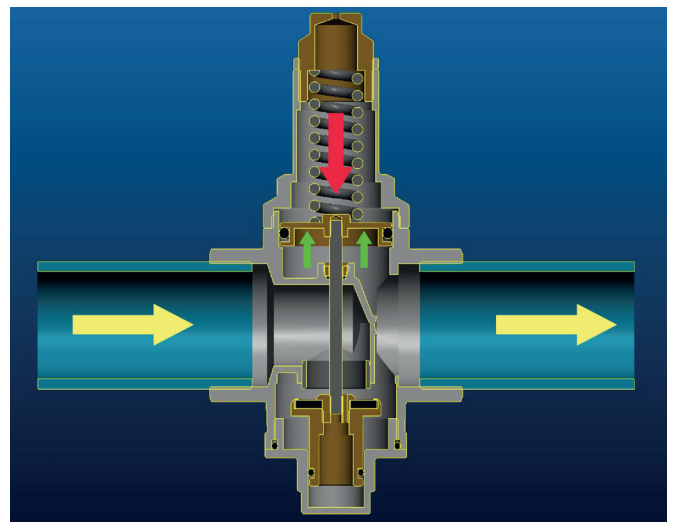
** from 1"1/4 to 4": AISI 304

Dimensions

	Size	A	B	C
	1/2"G - DN15	70	68	128
	3/4"G - DN20	74	68	128
	1"G - DN25	90	80	160
	1"1/4 G - DN32	100	82	210
	1"1/2 G - DN40	102	83	210
	2"G - DN50	119	91	238
	2"1/2 G- DN65	150	109	265
	3"G - DN80	163	113	268
	4"G - DN100	180	125	290

Operation

The operation of pressure reducing valves is based on the juxtaposition of two opposing forces that develop inside them. The **force** imparted by the water pressure which tends to stop the passage of water by bringing the valve into its closing position and the opposing **force** imparted by the spring, which, instead, tends to open the passage of water. The two forces counteract each other, and, thanks to the spring's variable compensation system, designed to compensate for varying inlet pressure, downstream pressure is maintained stable despite varying upstream pressure.

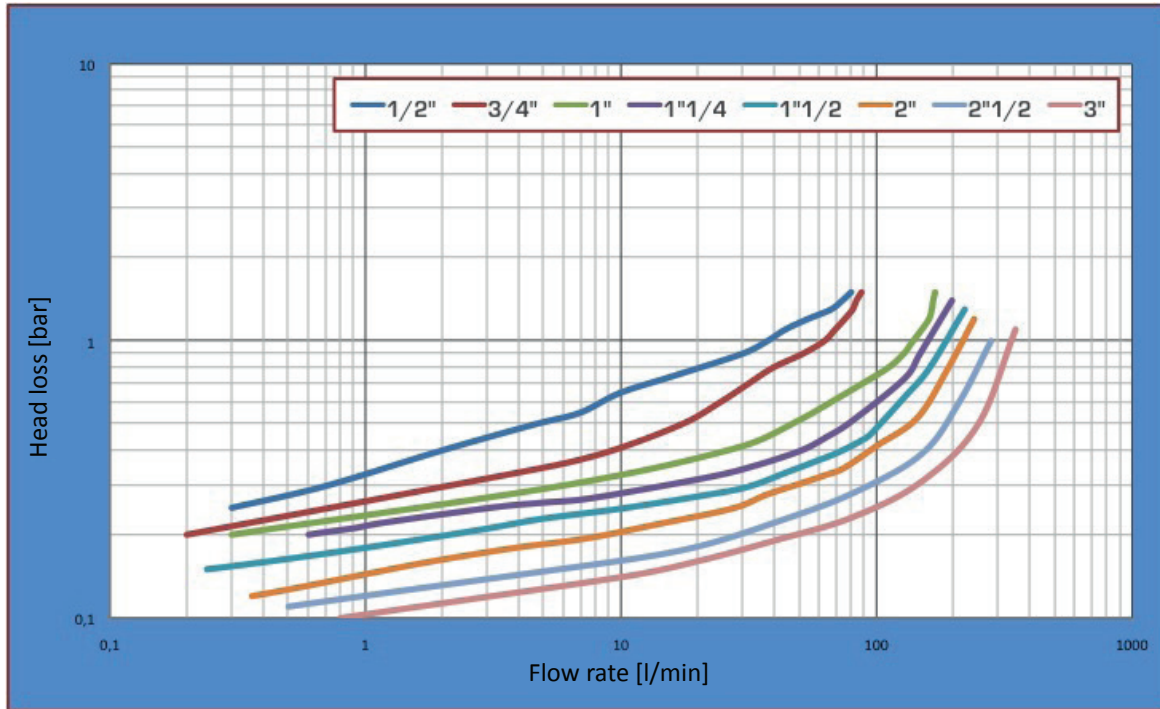


Head loss diagram

Head loss is the loss in pressure deriving from the combination of passive forces (plumbing condition, height differences, bends, junctions, etc.) that oppose the smooth flow of water inside a pipe.

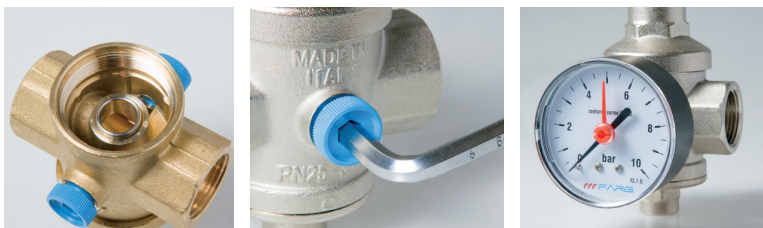
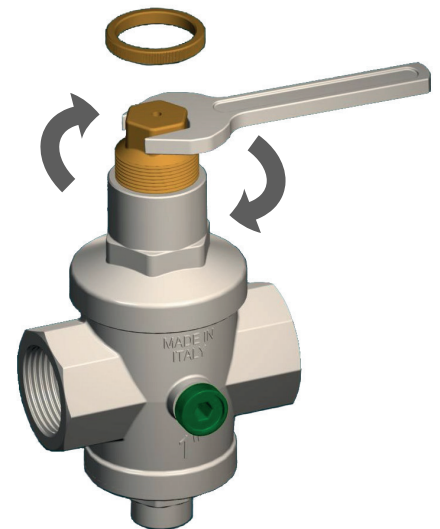
Because of their construction, this also applies to pressure reducing valves.

NOTE: to ensure correct sizing, head loss in the part of the plumbing system downstream of the pressure reducing valve should also be taken into consideration.



Installation

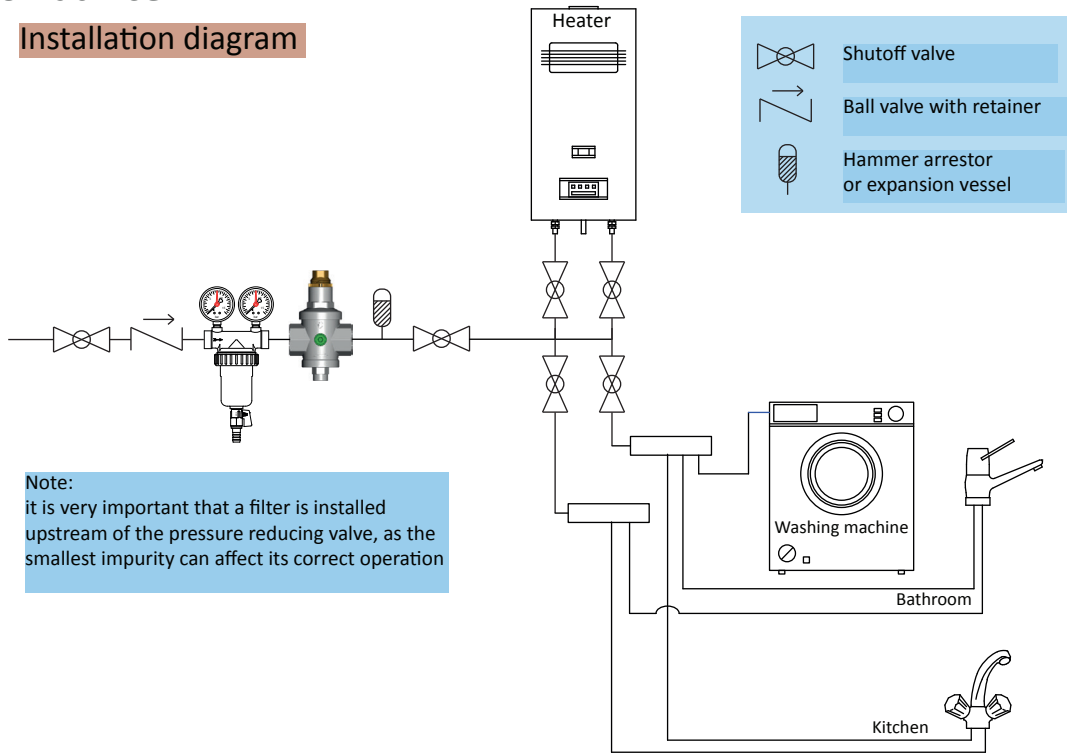
1. Before installing the pressure reducing valve, open all water taps to clear the system and bleed any air that might be trapped in the pipes.
2. Install shutoff valves both upstream and downstream of the pressure reducing valve to facilitate maintenance activities.
3. Install the pressure reducing valve following the direction of the arrow stamped on its body (it can be installed horizontally or vertically, but NOT upside down).
4. Close the upstream shutoff valve and set the outlet pressure value by acting on the spring pin: screw (turn clockwise) to increase pressure and unscrew (turn anticlockwise) to decrease pressure.



5. The pressure value can be seen on the pressure gauge.

NOTE: All F.A.R.G. pressure reducing valves are factory set to 3 bar.

Installation diagram



- Inlet pressure must be at least 1 bar higher than set outlet pressure.
- Turn the water on and off a few times to make sure that outlet pressure remains stable.
- Water hammers are one of the main causes of breakage in pressure reducing valves. The use of hammer absorbers is recommended in situations when water hammers are possible.
- We advise against the installation of pressure reducing valves in manholes, both because frost could damage the pressure reducing valve during the winter season and because of the limited space, which could make it difficult to read the pressure gauge and carry out routine maintenance and inspection activities.

Malfunctioning and recommendations

- In the event of installation near a boiler, the rise in water temperature causes an increase in pressure downstream of the pressure reducing valve, which cannot be released as the pressure reducing valve is in the closed position. In compliance with EU standard EN12828, concerning the design of water heating systems, an expansion vessel must be installed between the pressure reducing valve and the boiler to absorb the increase in pressure.
- In buildings with several storeys, it is advisable that a pressure reducing valve is installed at each storey, rather than one at the bottom of the building. Note that fluid loses approximately 1 bar of pressure every 10 metres of rise (approx. 3 storeys).
- Small impurities can sit in the pressure reducing valve seat and affect its correct operation. For this reason, we recommend that a filter is always installed upstream of the system, which should be maintained regularly.

release 4 - Novembre 2020

F.A.R.G. srl
 28045 Inverio - Novara - Italy
 Via C. Battisti n°77
 Tel. +39 0322 255193
 Fax +39 0322 259487
www.farg.it - info@farg.it

Azienda certificata ISO 9001:2008

